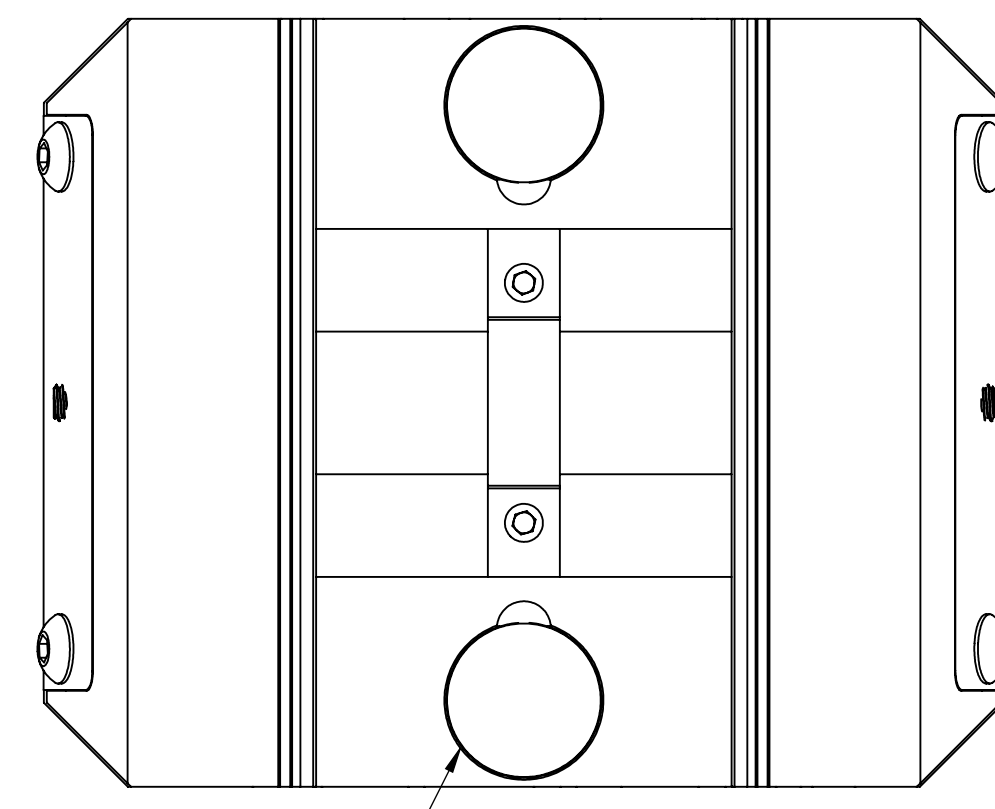
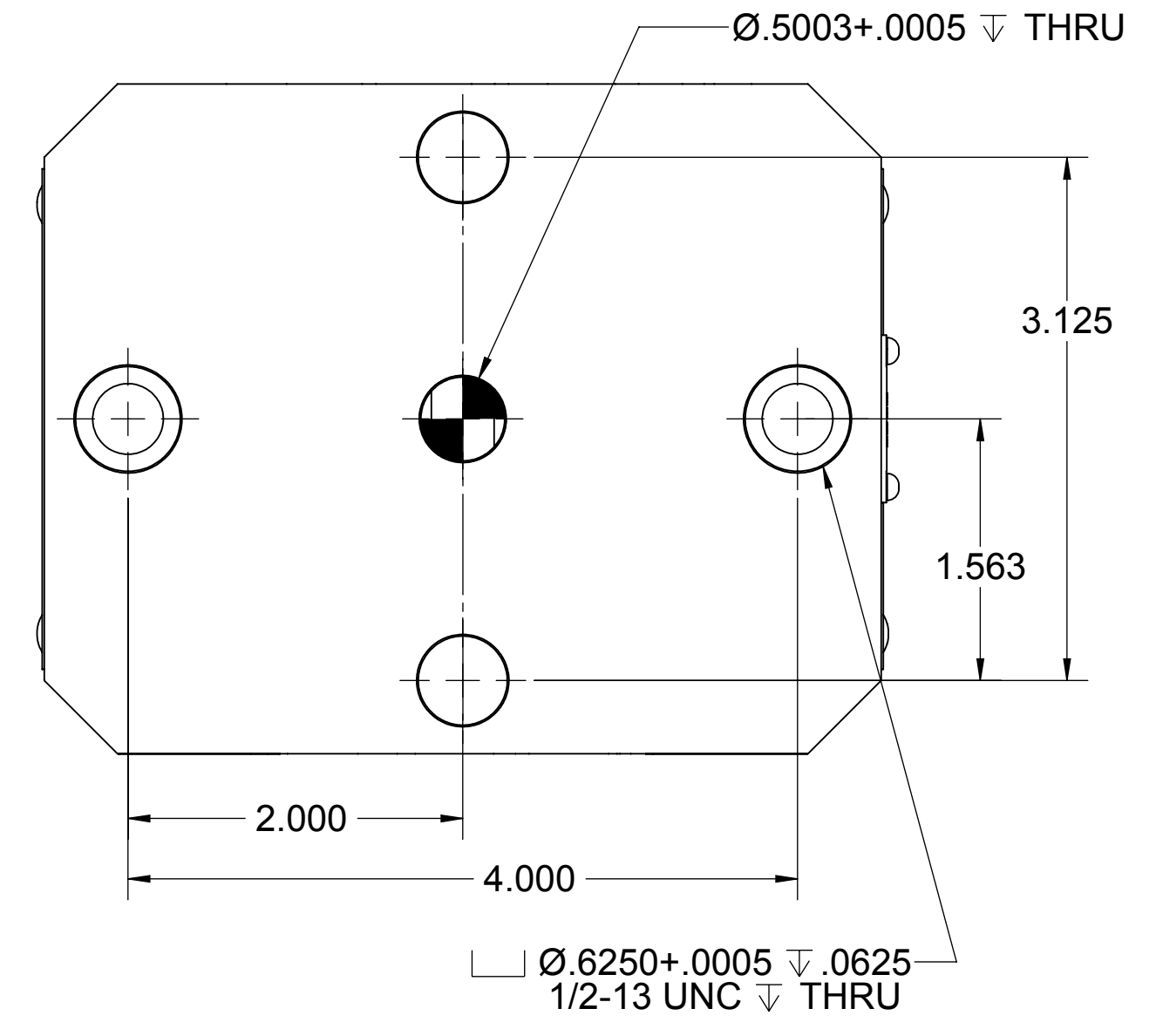


REV	ECO	DESCRIPTION	DATE	BY
A	V4110	RELEASED	7-29-16	DLS
B	V4150	SEE ECO	1/26/17	BHR
C	V4162	SEE ECO	4/5/17	DLS
D	V4163	SEE ECO	4/7/17	BHR
E	V4168	SEE ECO	5-4-17	DLS

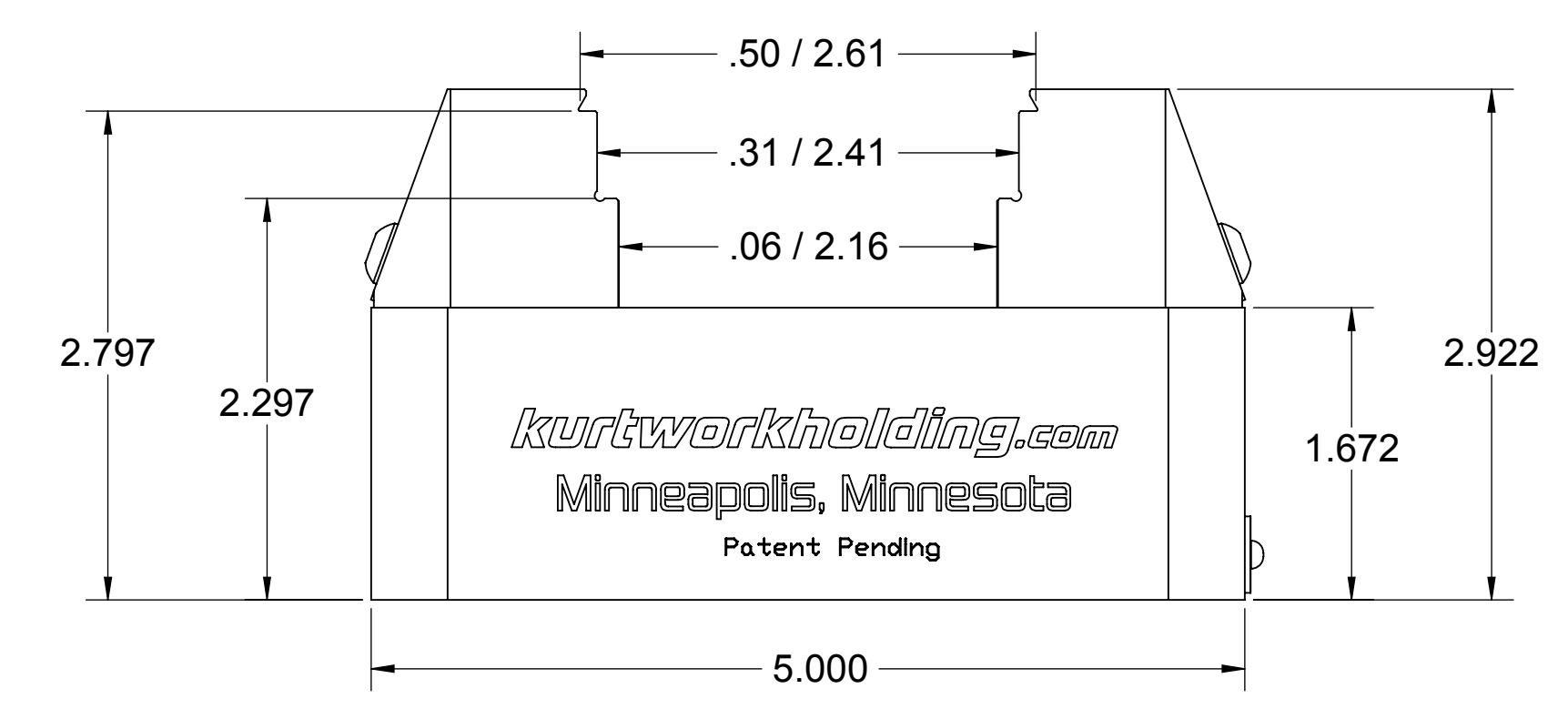


CB FOR 1/2 SHCS (2X)

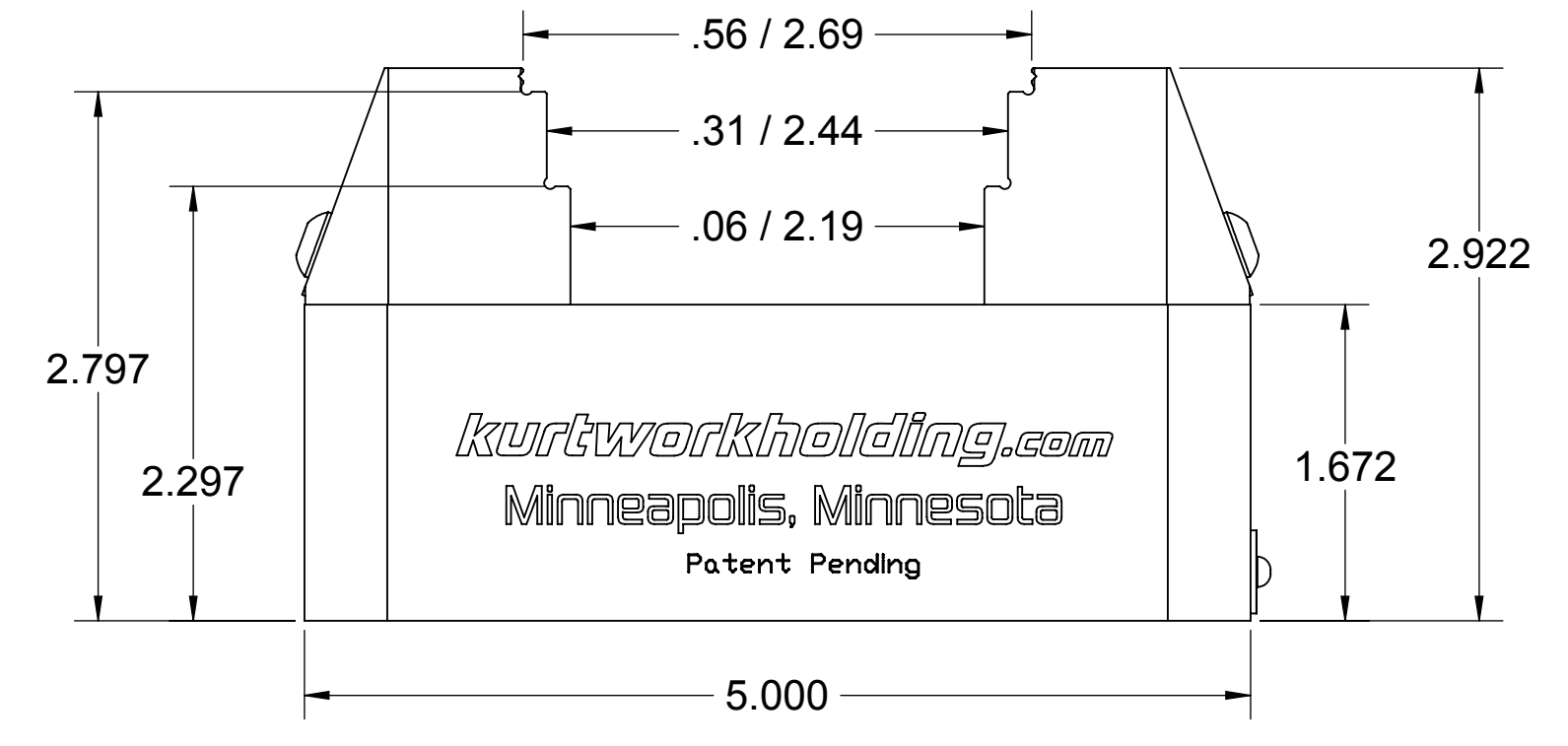
BOTTOM VIEW



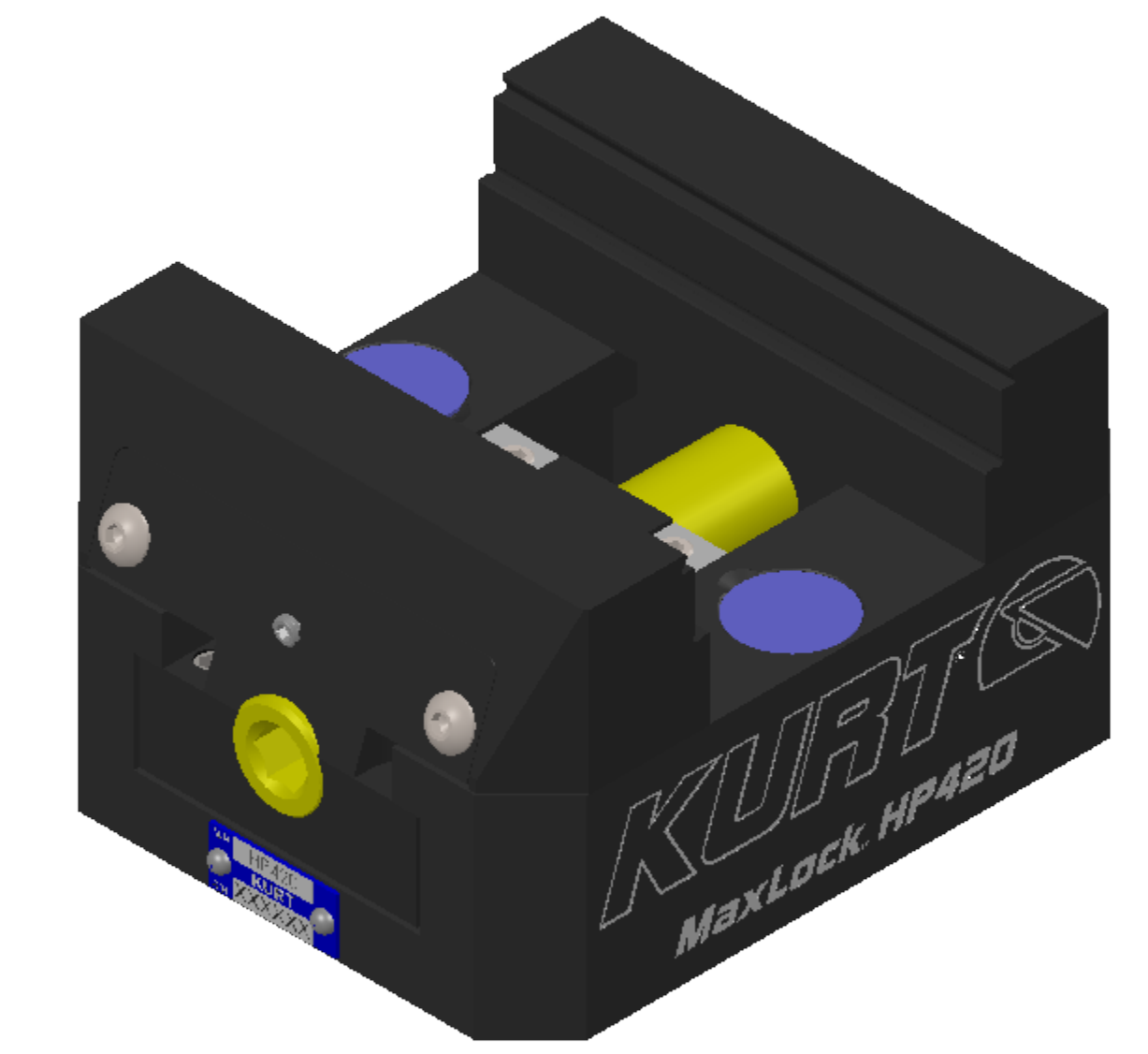
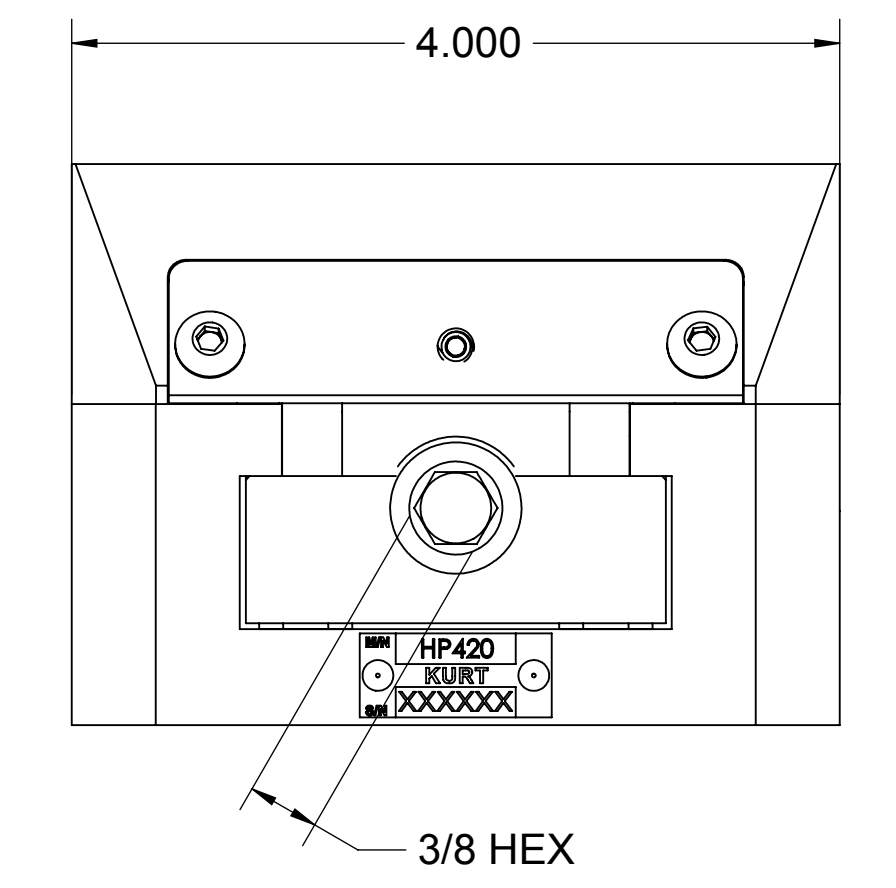
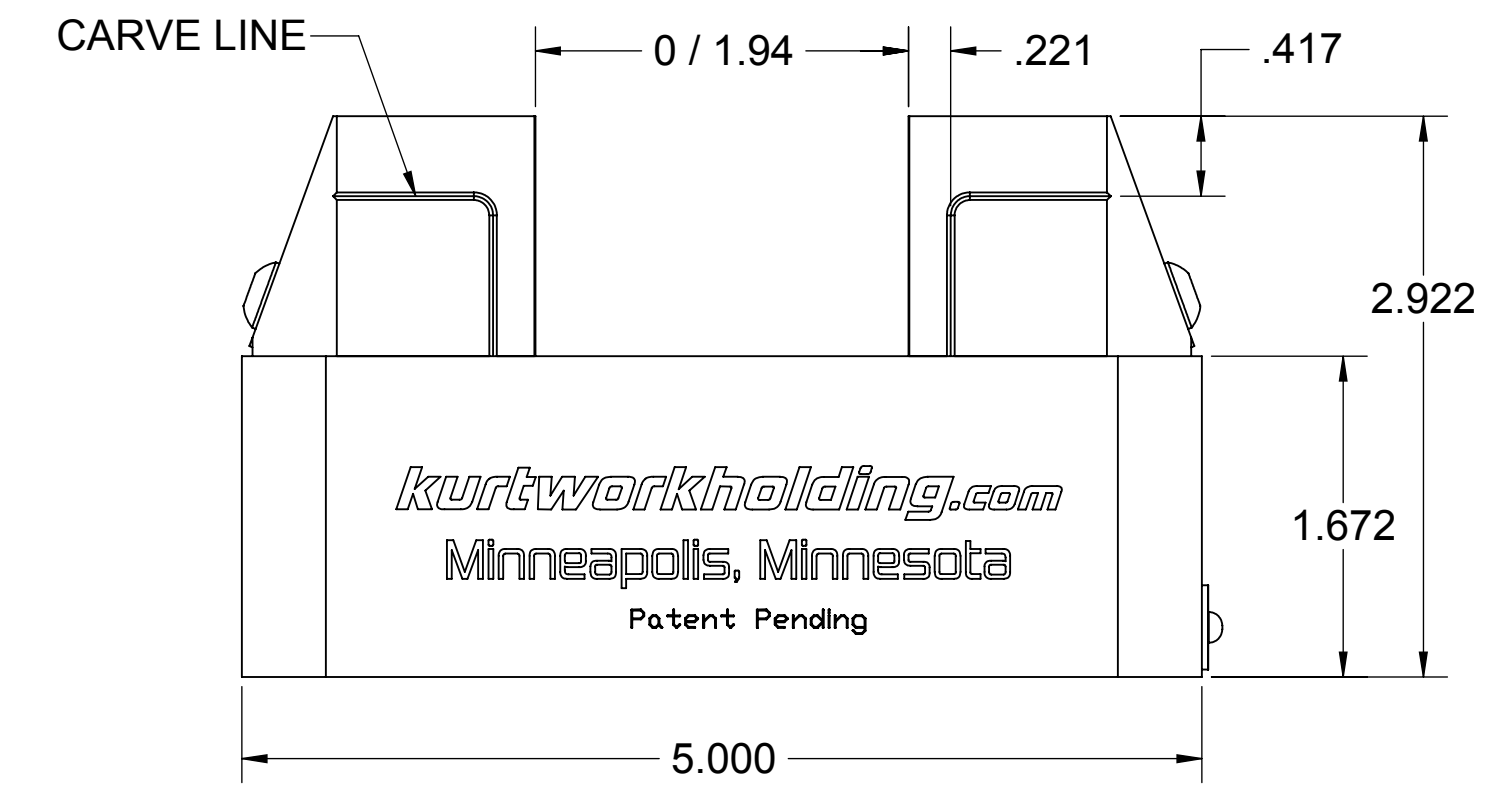
DOVETAIL JAW



SERRATED JAW



CARVABLE JAW



NOTES:
MAX TORQUE 45 FOOT POUNDS

KURT WORK HOLDING		TOLERANCES UNLESS NOTED INCHES		TITLE		MODEL OF TOOL	
DESIGNED	D. SCHMIDT	DECIMAL	± .02	XXX	± .005	HP420 ASM	REV. LEVEL
DETAILED	D. SCHMIDT	XXX	XXX	± .005	HP420 ASM	E	
CHECKED		XXX	± .02	XXX	± .005	HP420 ASM	CUSTOMER PART NO.
APPROVED		XXX	± .02	XXX	± .005	HP420 ASM	TITLE
		XXX	± .02	XXX	± .005	HP420 ASM	SCALE
		XXX	± .02	XXX	± .005	HP420 ASM	SHEET 1 OF 1